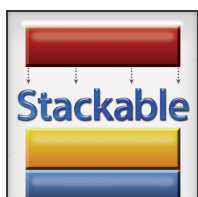
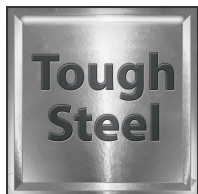


KitVault Extra Small DVR/NVR Enclosure



kitvault.com



Extra Compact DVR/NVR Enclosure to keep CCTV footage safe, featuring a removable Lid & Door for easy engineer access to the equipment inside



Key Features

- ✓ Tough steel with attractive finish
- ✓ Handy bolt holes for wall mounting
- ✓ Lockable with a spare set of keys
- ✓ Multiple entries for in/out cabling
- ✓ Removable lid and door for easy access
- ✓ Extra compact suits smaller DVRs/NVRs
- ✓ Stackable design to add extra equipment
- ✓ + 3 larger sizes also available

Description

This extra compact CCTV equipment enclosure is ideal for smaller DVR and NVR units (usually with 1 hard drive fitted) to keep them secure from tampering by staff or even intruders. The latest data protection regulations call for personal data to be protected and this includes CCTV footage; in fact the CCTV Code of Practice states that all recorded CCTV images must be...

'securely stored, where only a limited number of authorised persons may have access to them'.

The VAULT100 is an extra compact design so not only is it a great fit for smaller DVRs/NVRs but it can fit in small spaces too measuring just W384xD328xH95mm and is perfect for mounting to the wall sat on a shelf out of general view, especially great in small retail outlets where space is tight.

Not only is the enclosure extra small, it boasts a removable lid and door to make installing and setting up your recording device much easier. Once the recorder is up and running you can simply replace the lid back on the unit, click the door back into place and securely lock up the entire unit.

You won't find another enclosure on the market quite this compact! Most units are designed as 1 size fits all so are made much larger to accommodate those larger DVRs and NVRs.

Disclaimer

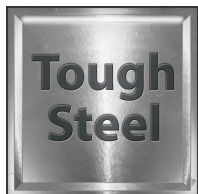
The technical specifications contained are given in good faith as being accurate but due to a continued program of improvement may change from time to time without notice. We apologise for any inconvenience due to changes of specification or errors and omissions within this document. Copyright 2021

KitVault Extra Small DVR/NVR Enclosure



Using a KitVault enclosure is even easier than rack mounting as you have clear access to the rear of the recorder making it easy to plug in your BNC and other leads thanks to the removable lid and door that can eventually be locked in place. There's no more trying to reach into the back of racks to find the lead you're looking for.

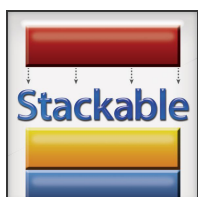
Each model features handy fixing holes that let you bolt the enclosure to a counter, shelf or the wall behind it making it hard for an imposter to simply pick it up and walk out with it.



The units are designed to be stackable too with feet indentations on each to give extra stability. This is ideal for hiding away ancillary equipment such as distributors, power supplies, baluns and excess cabling and helps keep the installation neat and tidy.

The Kitvault range includes 3 more sizes too!

The next size up (model VAULT200) features a clear viewing panel and suits 4 or 8 channel models but has slightly more room around it to accommodate up to 3 extra cooling fans.



The medium version VAULT300 suits larger 8 or standard 16 channel DVR/NVR models and again has a tough polycarbonate viewing panel and 3 fan slots.

The largest model VAULT400 can accommodate the largest of DVR or NVR models often fitted with multiple hard drives such as the 2U rack sizes. It again has a tough polycarbonate viewing panel and 3 fan slots.



The complete KitVault range of enclosures comprises...

Extra Small - code VAULT100 (H)95mm x (W)384mm x (D)328mm (*this model)

Small - code VAULT200 (H)150mm x (W)430mm x (D)368mm

Medium - code VAULT300 (H)150mm x (W)490mm x (D)471mm

Large - code VAULT400 (H)150mm x (W)564mm x (D)597mm



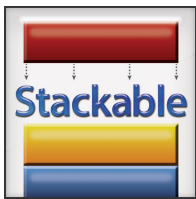
kitvault.com



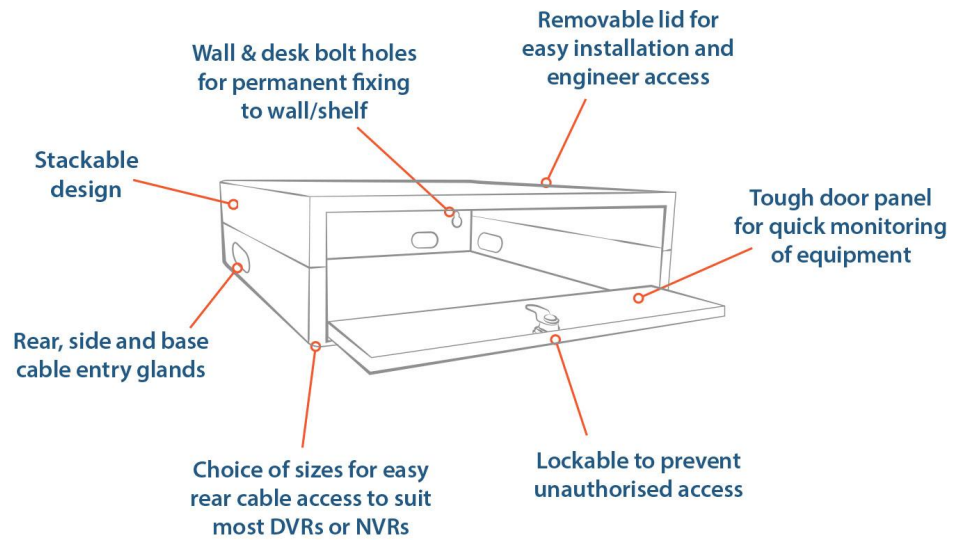
Disclaimer

The technical specifications contained are given in good faith as being accurate but due to a continued program of improvement may change from time to time without notice. We apologise for any inconvenience due to changes of specification or errors and omissions within this document. Copyright 2021

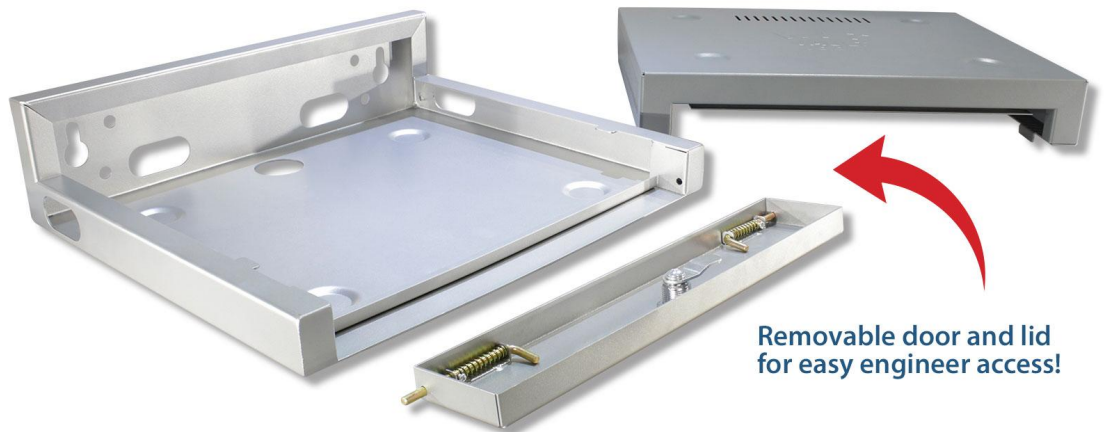
KitVault Extra Small DVR/NVR Enclosure



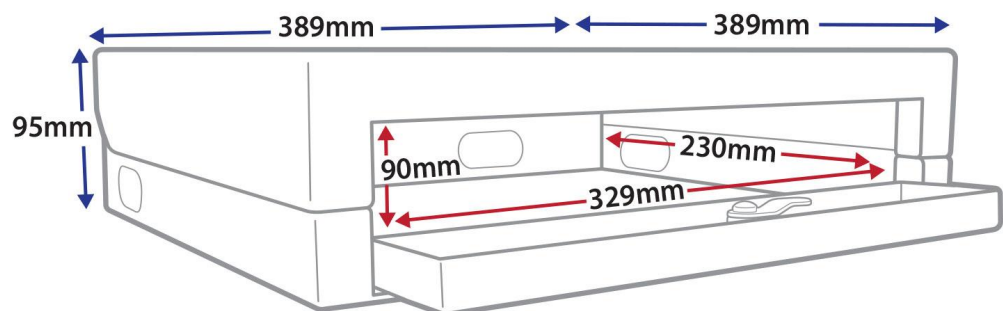
How It Works



Door & Lid Removal



Dimensions



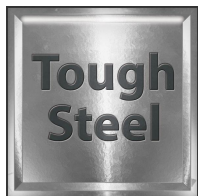
kitvault.com



Disclaimer

The technical specifications contained are given in good faith as being accurate but due to a continued program of improvement may change from time to time without notice. We apologise for any inconvenience due to changes of specification or errors and omissions within this document. Copyright 2021

KitVault Extra Small DVR/NVR Enclosure



kitvault.com



What's In The Box



KitVault DVR/NVR Enclosure

2 x Keys

Specification

Finish	Silver & Charcoal
Use	Internal Only
Cabling	Side, Base & Rear Entry Glands
Lockable	Hinged Front Door with Key Lock
Bolt Holes	Rear Bolt Holes
Build	1.5mm Steel
Mounting	Wall Mount
Max DVR/NVR Size	(H)90mm x (W)329mm x (D)230mm
Dimensions	(H)95mm x (W)389mm x (D)328mm

Disclaimer

The technical specifications contained are given in good faith as being accurate but due to a continued program of improvement may change from time to time without notice. We apologise for any inconvenience due to changes of specification or errors and omissions within this document. Copyright 2021

Installer Details :